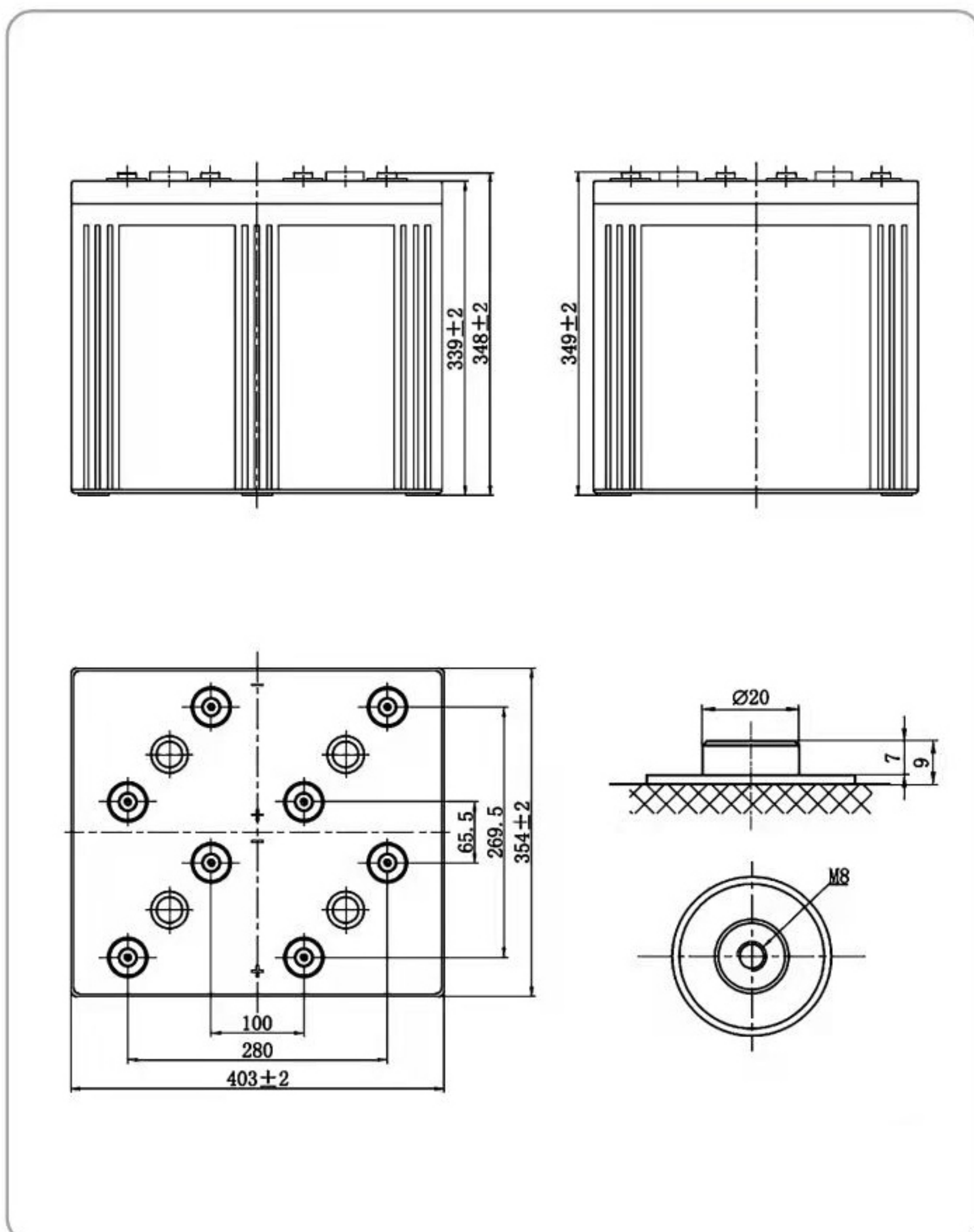


## 产品特点 Product Features

- 无游离酸，电池可侧置90°安全使用。
  - 特殊板栅合金，配合优质的电解液，充分保证寿命。
  - 可靠的密封技术，使用安全可靠。
  - 严格的选材及先进的制造工艺，使自放电极小。
  - 配备防爆装置，确保安全性。
- No free acid battery can be safety used on its side position of 90°.
  - Special alloy of grid, superior electrolyte secures the battery life.
  - Reliable sealing technology, safe and reliable.
  - Strict selection of materials and advanced manufacturing technology, Low self-discharge.
  - Fitted with explosion proof filter, safety is guaranteed.



## 外形尺寸 Dimension (mm)



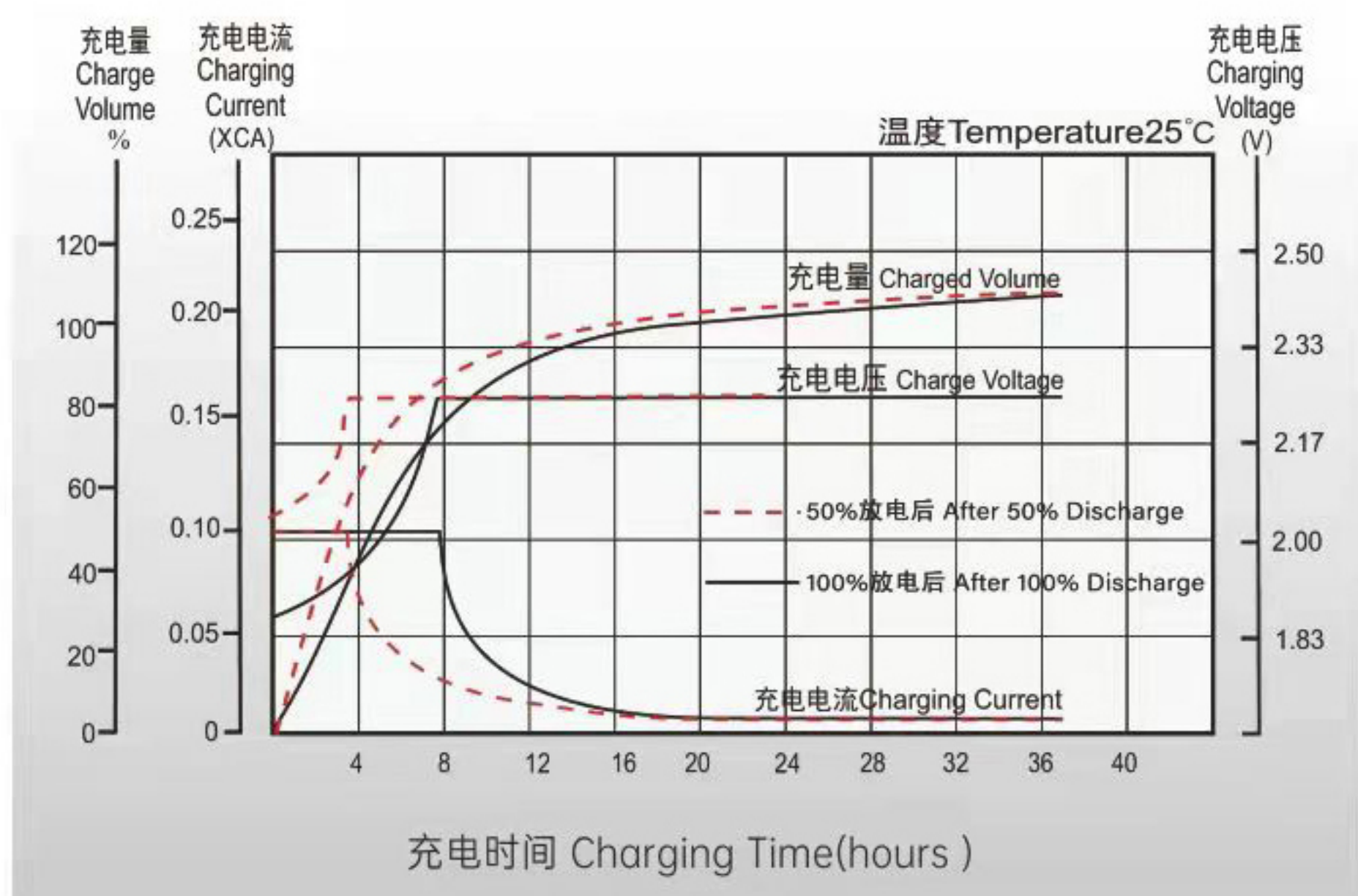
## 电池特征 Battery Characteristics

标称电压 Nominal Voltage	2V	
容量 Capacity (25°C)	C <sub>10</sub> (150.0A,1.80V/cell)	1500.0Ah
	C <sub>5</sub> (390.0A,1.75V/cell)	1170.0Ah
	C <sub>1</sub> (925.8A,1.60V/cell)	925.8Ah
近似外形尺寸 Approd.Dimension	长 L	403 mm
	宽 W	354 mm
	高 H	339 mm
	总高 OH	349 mm
不同环境温度下的放置期限 Storage period at various temperature	20°C以下	9个月
	20°C ~ 30°C	6个月
	30°C ~ 40°C	3个月
重量 Weight	约97.8kg	
端子 Terminal	M8	
池壳材料 Container material	ABS	
内阻 (完全充电) IR, fully charged (25°C)	≤0.30 mΩ	
最大充电电流 Max.Charging Current (25°C)	450A	
充电方法 Charge method (25°C)	浮充 Float	2.25V/只
	均充 Equalization	2.30 ~ 2.40V/只
设计浮充寿命 Designed floating life	15年(25°C)	



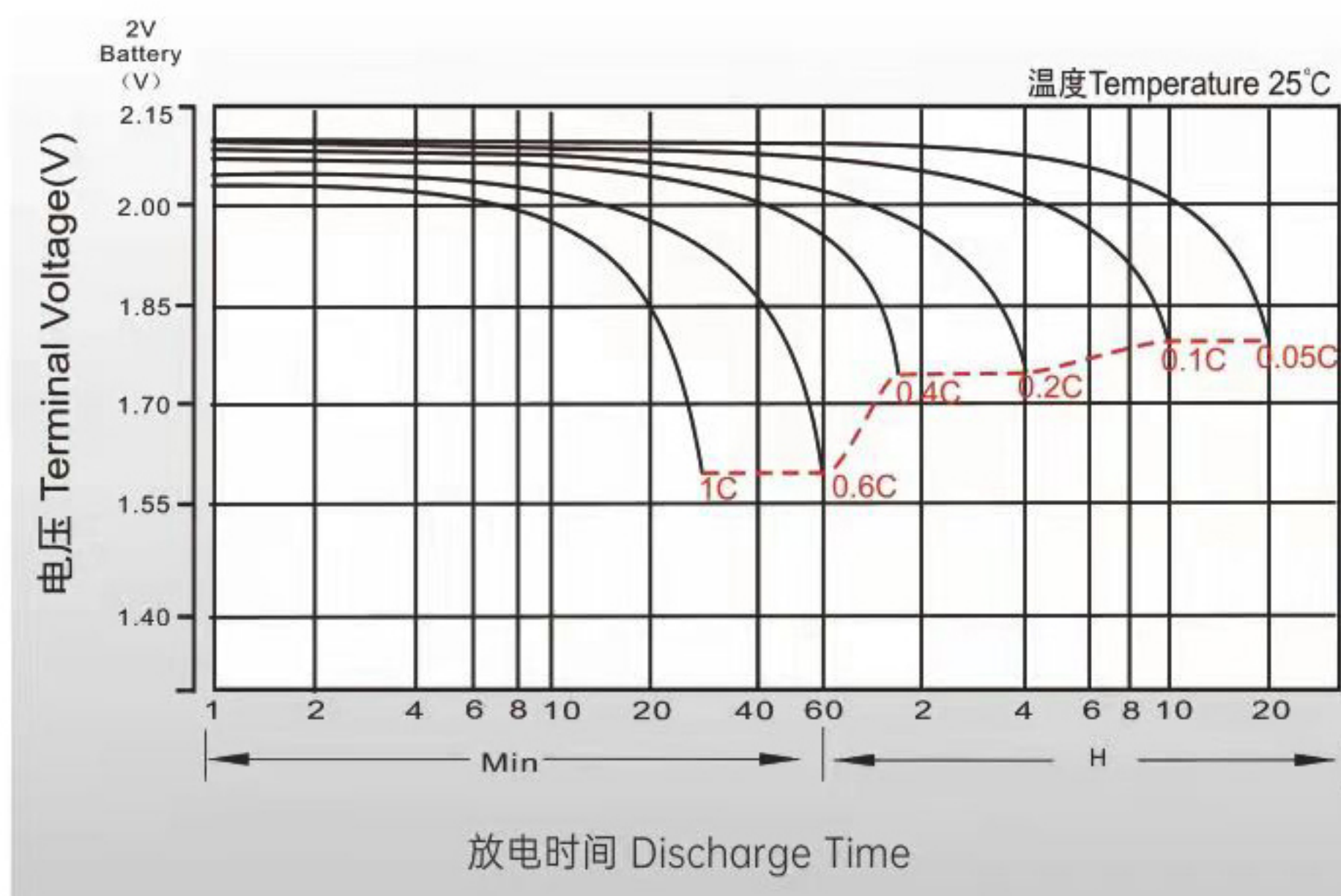
## 限流恒压充电特性

Charge Characteristics at Constant Voltage with Limited Current



## 放电特性

Discharge Characteristics



## 恒流放电表 Constant Current Discharge Characteristics (A, 25°C)

终止电压	30min	45min	1h	1.5h	2h	3h	4h	5h	6h	8h	10h	20h
1.80V	1186.4	908.1	815.6	623.3	502.1	376.4	304.4	256.7	221.9	180.0	150.0	79.5
1.75V	1210.6	926.3	829.4	644.3	517.5	390.0	312.0	262.5	226.5	183.3	152.3	80.5
1.70V	1288.8	979.7	862.1	666.0	534.0	401.4	319.9	268.5	231.4	186.5	154.7	81.5
1.67V	1333.2	1032.4	893.0	678.0	542.9	407.5	324.3	271.8	234.2	188.5	156.1	82.1
1.60V	1417.1	1077.5	925.8	708.3	565.6	422.4	335.1	280.2	240.7	192.9	159.4	83.6

## 定功率放电表 Constant Wattage Discharge Characteristics (W/Cell, 25°C)

终止电压	30min	45min	1h	1.5h	2h	3h	4h	5h	6h	8h	10h	20h
1.80V	2273.8	1748.0	1574.5	1208.3	976.4	734.9	596.1	503.8	436.4	354.9	296.4	157.9
1.75V	2300.5	1769.1	1589.9	1241.4	1000.8	758.3	608.7	513.6	444.3	360.7	300.5	159.8
1.70V	2426.8	1856.6	1641.3	1275.7	1027.4	776.8	621.8	523.8	452.7	366.3	304.7	161.7
1.67V	2486.5	1946.7	1692.0	1293.8	1040.9	786.4	628.9	529.2	457.3	369.6	307.1	162.8
1.60V	2620.2	2010.2	1737.6	1340.4	1076.3	810.5	646.6	543.0	468.2	377.2	312.8	165.6

## 充电注意 Charging Recommendations

当温度偏离25°C时，请按每变化1°C，浮充使用按-3mV/单格进行修正，均充按-4mV/单格进行修正。

If the operating temperature varies significantly from the center value (25°C), temperature compensation for the charging voltage is recommended. The recommendation is -3mV/°C/cell for float use, and -4mV/°C/cell for equalization use.



杰士汤浅株式会社 GS YUASA CORPORATION

广东汤浅蓄电池有限公司

地址: 广东省佛山市顺德区大良飞鹅岗

热线电话: 400-930-0628

传真: 0757-22635775

电话: 0757-22620901

http://www.gdyuasa.com

认证标识 Approval indication



ISO 9001  
Quality  
Management  
Systems  
CERTIFIED

ISO 14001  
Environmental  
Management  
CERTIFIED

ISO 45001  
Occupational Health  
And Safety  
Management  
CERTIFIED



FM 45770

EMS 99952

OHS 750241